

1. ROLLER FEED VICE

CHART 1 ROLLER FEED VICE

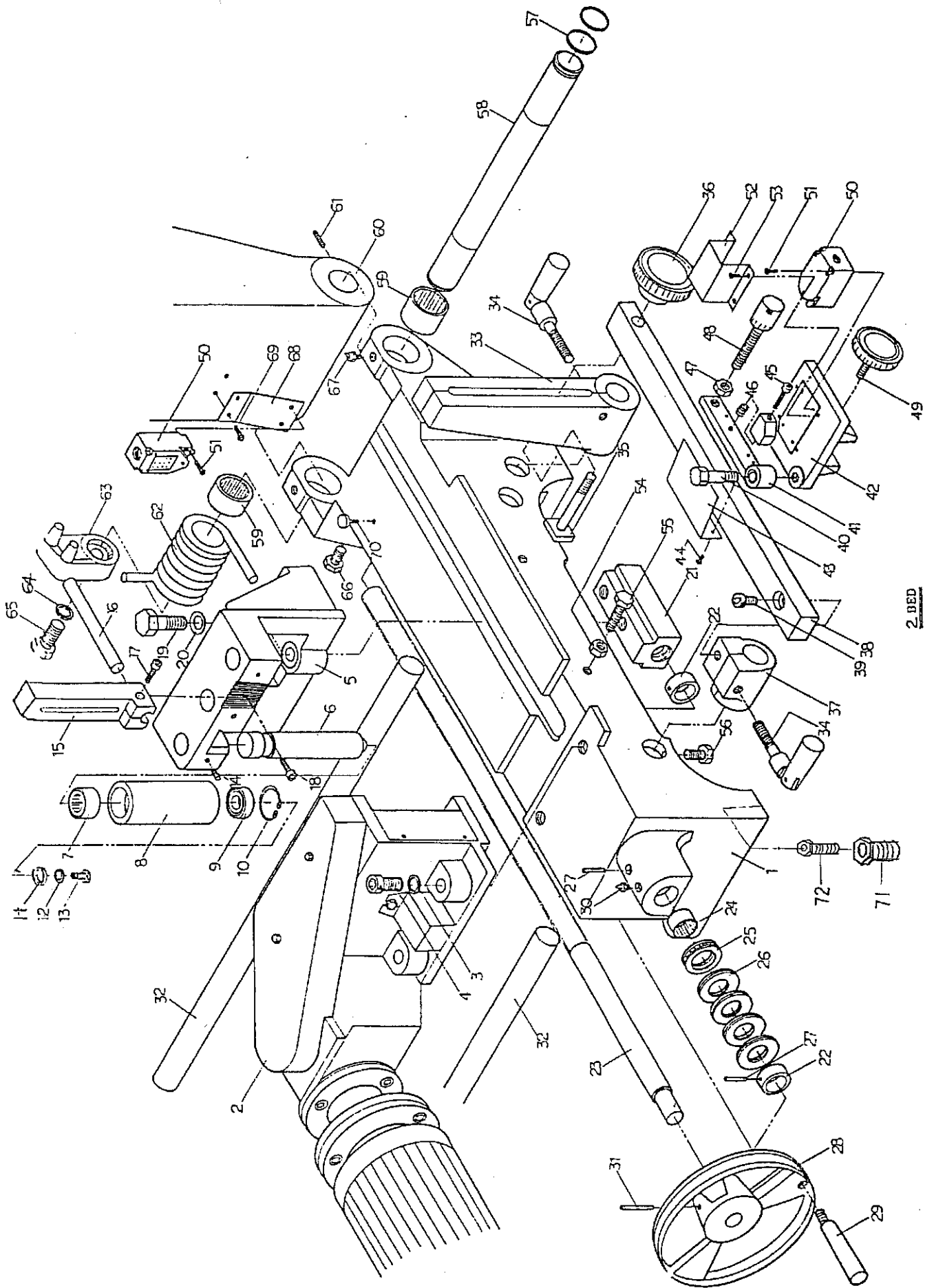
NO.	PART NO.	PART NAME	PART NAME IN CHINESE	PART SPEC.	Q'TY
1-1	ACA-1014	Feed roller housing	固定虎鉗		1
1-2	PP-14570	Bearing	軸承	6205CM	2
1-3	ACA-1037	Worm gear	蝸輪		1
1-4	ACA-1041	Worm gear shaft	蝸輪軸		1
1-5		Key	方鍵	7*7*15L	1
1-6	PP-51030	Oil seal	油封	25*40*8	1
1-7	ACA-1038	Gear box cover	蝸輪蓋		1
1-8	ACA-1030	Sprocket	主動鏈輪		1
1-9		Key	方鍵	6*6*15L	1
1-10		Lock washer	彈簧華司	5/16	4
1-11		Screw	外六角螺絲	5/16-18UNC*3/4	4
1-12	PP-14610	Bearing	軸承	4T-30204	2
1-13		Key	方鍵	5*5*15L	1
1-14	ACA-1039	Worm	蝸桿		1
1-15	ACA-1040	End cover	蝸桿蓋		1
1-16		Screw	內六角螺絲	3/8-16UNC*5/8	3
1-17	PP-51040	Oil seal	油封	20*47*6	1
1-18	ACA-1033A	Adapter	連接凸緣		1
1-19		Lock washer	彈簧華司	3/8	8
1-20		Screw	內六角螺絲	3/8-16UNC*20L	8
1-21	ACA-1034	Coupling	接軸套		1
1-22		Set screw	止付螺絲	M5*5L	1
1-23		Key	方鍵	5*5*15L	1
1-24	PP-31321	Motor	馬達	1/4HP	1
1-25	ACA-1035	Handwheel	微調手輪		1
1-26	ACA-1036	Bushing	微調手輪軸套		1
1-27		Lock washer	彈簧華司	5/16	1
1-28		Screw	內六角螺絲	5/16-18UNC*1 1/4	1
1-29	ACA-1016	Roller shaft	固定虎鉗滾輪軸		1
1-30	PP-14070	Bearing	軸承	HK-2820	3
1-31	ACA-1031	Sprocket	從動鏈輪		3
1-32		Pin	斜度銷	2*25L	3
1-33	ACA-1015	Roller , drive	固定虎鉗滾輪		3
1-34		Pin	彈簧銷	6*60L	3
1-35	PP-14251	Bearing	軸承	6003ZZ	3
1-36	ACA-1027	Washer	固定虎鉗墊圈		3
1-37	ACA-1017	Chip wiper	滾輪側蓋		1
1-38		Screw	平頭十字螺絲	3/16-24UNC*3/8	2
1-39	ACA-1026	Adjusting cam shaft	鏈輪調整桿		1
1-40	ACA-1032	Sprocket	調整鏈輪		1
1-41	PP-14020	Bearing	軸承	HK-1210	1
1-42		Washer	平面華司	1/4	1
1-43		Lock washer	彈簧華司	PQA-6	
1-44		Screw	外六角螺絲	PBA-6-12	
1-45		Screw	外六角螺絲	PBA-8-20	
1-46	ACA-1020	Bracket	U 型架		1

減速機內軸承 = 出力軸 30208 x 1 寸, 30209 x 1, NU209 x 1
 入力軸 30207 x 2 寸

AH-260C

CHART 1 ROLLER FEED VICE

NO.	PART NO.	PART NAME		PART SPEC.	Q'TY
1-47	ACA-1021	Roller (A)	短滾輪		2
1-48	ACA-1022	Roller (B)	長滾輪		2
1-49	ACA-1023	Shaft	U型架活動軸		1
1-50	ACA-1019	Rock arm	送料開關固定板		1
1-51		Lock washer	彈簧華司	1/4	2
1-52		Screw	內六角螺絲	1/4-20UNC*1/2	2
1-53		Nut	螺母	1/4-20UNC	2
1-54		Screw	外六角螺絲	1/4-20UNC*3/4	1
1-55	ACA-1018	Pivot	送料開關軸		1
1-56	PP-90020	Limit switch	限動開關	TZ-5101	1
1-57	ACA-1024	Bracket	送料電器座板		1
1-58		Lock washer	平面華司	M6	2
1-59		Screw	內六角螺絲	M6*10L	2
1-60				Deleted	
1-61		Lock washer	彈簧華司	1/4	2
1-62		Screw	內六角螺絲	1/4-20UNC*3/8	2
1-63	ACA-1025	Limit switch guard	送料電器遮板		1
1-64				Deleted	
1-65		Elbow joint	內外牙彎頭	PT 1/2	1
1-66		Cap	塞頭	PT 1/2	2
1-67	PP-19010	Chain	鏈條	RS40*2.5R	1
1-68	ACA-1029	Spacer	護蓋墊圈		2
1-69	ACA-1028	Chain guard	鏈輪護蓋		1
1-70		Lock washer	平面華司	5/16	2
1-71		Screw	外六角螺絲	5/16-18UNC*2"	2
1-72	ACA-1019A	Bushing	送料開關軸套		1
1-73		Screw	內六角螺絲	5/16*3/4	1
1-74					
1-75					
1-76					
1-77					
1-78					
1-79					
1-80					
1-81					
1-82					
1-83					
1-84					
1-85					
1-86					
1-87					
1-88					
1-89					
1-90					
1-91					
1-92					



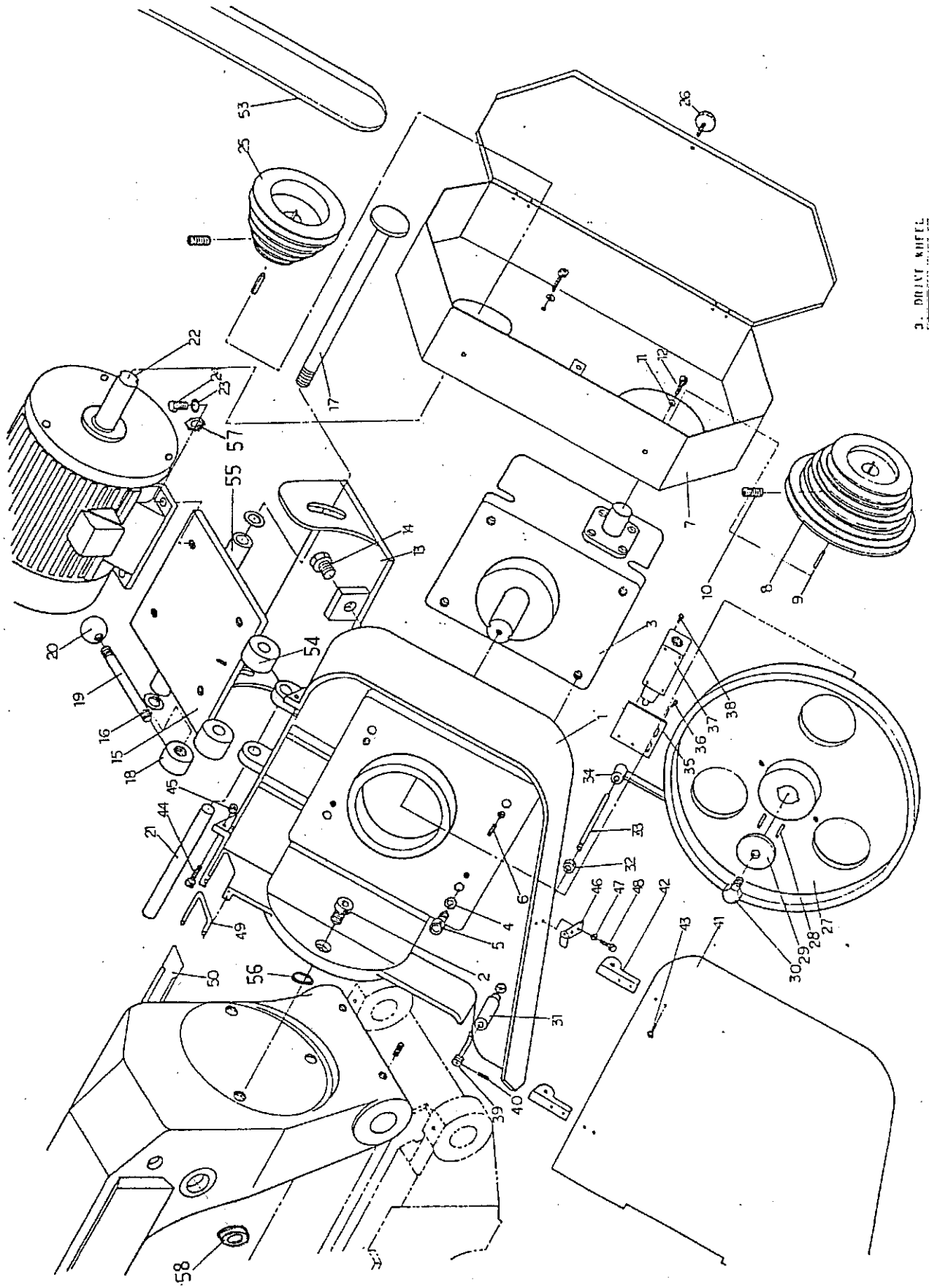
2 BED

CHART 2 BED

NO.	PART NO.	PART NAME	PART NAME IN CHINESE	PART SPEC.	Q'TY
2-1	ACA-1013	Bed	床面		1
2-2	ACA-00010	Roller feed vice			1
2-3		Lock washer	彈簧華司	5/8	2
2-4		Bolt	內六角螺絲	5/8-11UNC*50	2
2-5	ACA-1042	Movable vice casting	活動虎鉗本體		1
2-6	ACA-1044	Shaft	活動虎鉗滾輪軸		3
2-7	PP-14070	Needle bearing	軸承	HK-2820	3
2-8	ACA-1043	Roller	活動虎鉗滾輪		3
2-9	PP-14003	Bearing	軸承	6202ZZ	3
2-10		Retainer	扣環	R35	3
2-11		Washer	平面華司	1/4	3
2-12		Lock washer	彈簧華司	1/4	3
2-13		Screw	丸頭螺絲	1/4-20UNC*1/2	3
2-14		Set screw	止付螺絲	5/16-18UNC*3/8	3
2-15	ACA-1045	Nesting fixture	材料下壓固定塊		1
2-16	ACA-1046A,B	Pressing bar	長短材料下壓桿		1
2-17		Screw	內六角螺絲	5/16-18UNC*1 1/4	1
2-18		Screw	內六角螺絲	5/16-18UNC*1 1/2	1
2-19	ABB-050-220	Bolt	內六角螺絲	5/8-11UNC*2 1/4	2
2-20	ABB-050	Lock washer	彈簧華司	5/8	2
2-21	ACA-1048	Lead screw nut	導桿螺母		1
2-22	MJA-1013	Collar	導螺桿固定圈		2
2-23	ACA-1047	Vice lead screw	導螺桿		1
2-24	PP-14450	Needle bearing	軸承	K25*30*17	1
2-25	PP-14410	Thrust bearing	軸承	AS/MPP2542	1
2-26	ACA-1049	Disk spring	碟形彈簧	DIA-25	8
2-27		Spring pin	彈簧銷	6*30L	2
2-28	PP-52031	Handwheel	手輪	8"	1
2-29	PP-52030	Handle	手輪柄	3/8	1
2-30	PUC-005	Nipple	油嘴	1/16	1
2-31		Set screw	內六角螺絲	5/16-18UNC*1/2	1
2-32	ACA-1054	Depth bar (length bar)	定寸桿		2
2-33	ACA-1056	Adapter , right	大調整座		1
2-34	ACA-1059A	Fastening bolt	調整座固定螺絲		2
2-35	ACA-1058	Stud	調整手輪桿		1
2-36	PP-52050	Knob	調整手輪		1
2-37	ACA-1057	Adapter left	小調整座		1
2-38	ACA-1055	Cross slide	定寸開關座滑板		1
2-39		Screw	內六角螺絲	1/2W-12*1"	1
2-40	ACA-1067	Pivot bolt	開關板軸		1
2-41	ACA-1062	Rocker	定寸開關擋板		1
2-42	ACA-1060	Carriage	定寸開關滑座		1
2-43	ACA-1065	Cover	定寸開關護蓋		1
2-44		Screw	丸頭螺絲	3/16-24UNC*3/8	2
2-45		Screw	內六角螺絲	1/4 16UNC*1 3/4	1
2-46	ACA-1063	Spring	定寸擋板彈簧		1

SGU-1002 MAIN SHAFT AND SUB SHAFT ASS'Y

NO.	PART NO.	PART NAME	PART NAME IN CHINESE	PART SPEC.	Q'TY
2-47		Nut	螺帽	7/16-20UNF	1
2-48	ACA-1061	Micro-adjust bolt	定寸調整桿		1
2-49	PP-53040	Fastening bolt	定寸滑座固定螺絲		1
2-50	PP-90020	Limit switch	限動開關	TZ-5101	2
2-51		Screw	丸頭螺絲	3/16-24UNC* 1/4	4 <i>1/2</i>
2-52	ACA-1066	Cover	定寸開關遮蓋		1
2-53		Screw	丸頭螺絲	3/16-24UNC* 3/8	4
2-54		Nut	螺帽	7/16-14UNC	4
2-55		Screw	外六角螺絲	7/16-14UNC*1 1/4	2
2-56		Bolt	外六角螺絲	1/2W-13*3/4	3
2-57				Deleted	
2-58	ACA-1051	Pivot	開關軸		1
2-59	PP-13228	Needle bearing	乾式軸承	3520	2
2-60	ACA-2001	Saw bow	弓鋸頭		1
2-61		Set screw	內六角螺絲	3/8-16UNC*5/8	2
2-62	ACA-1052	Balancing spring	回程彈簧		1
2-63	ACA-1053	Limitator	彈簧抵擋板		1
2-64		Washer	彈簧華司	1/2	1
2-65		Bolt	外六角螺絲	1/2W-13*1"	1
2-66		Bolt	外六角螺絲	1/2W-13*2"	1
2-67				Deleted	
2-68	ACA-2073	Bracket	下降控制器座板		1
2-69		Screw	內六角螺絲	1/4-20UNC*3/8	2
2-70	ACA-2074	Screw	擋板螺絲		1
2-71	<i>MTA-301</i>	Adjusting bolt	調整螺絲	5/8*1 1/2	2
2-72		Screw	外六角螺絲	3/8*2"	4
2-73					
2-74					
2-75					
2-76					
2-77					
2-78					
2-79					
2-80					
2-81					
2-82					
2-83					
2-84					
2-85					
2-86					
2-87					
2-88					
2-89					
2-90					
2-91					
2-92					



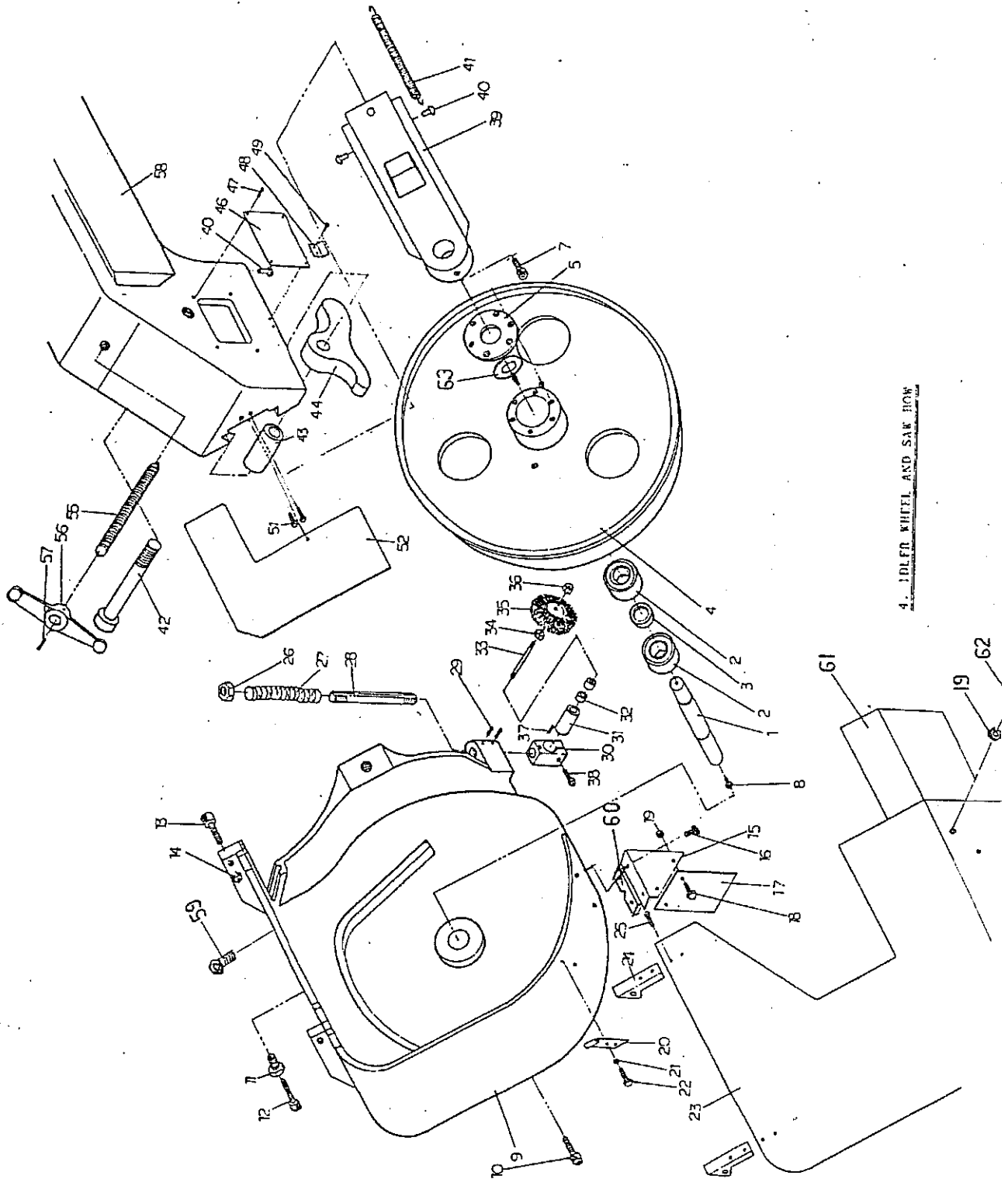
3. DRIVE MECHANISM

CHART 3 DRIVE WHEEL

NO.	PART NO.	PART NAME	PART NAME IN CHINESE	PART SPEC.	Q'TY
3-1	ACA-2031	Drive wheel housing	下輪箱蓋		1
3-2		Bolt	內六角螺絲		3
3-3	PP-16041	Gear box	減速機	1/2W-13*2"	1
3-4		Lock washer	彈簧華司		4
3-5		Bolt	內六角螺絲	1/2	4
3-6		Set screw	止付螺絲	1/2W-13*1 1/4	4
3-7	ACA-2038	Belt guard	普利護蓋	3/8-16UNC*3/4	4
3-8	ACA-2036	Idler pulley	減速機普利		1
3-9		Key	方鍵		1
3-10		Set screw	止付螺絲	7*8*20L	2
3-11		Washer	彈簧華司	5/16-18UNC*3/4	2
3-12		Screw	外六角螺絲	1/4	2
3-13	ACA-2040A	Motor mounting bracket	馬達調整座	1/4-20UNC*5/8	2
3-14		Bolt	外六角螺絲		1
3-15	ACA-2039A	Motor mounting plate	馬達底板	1/2W-13*1 1/4	2
3-16		Washer	平面華司		1
3-17	ACA-2042A	Stud	鎖緊栓	5/8	2
3-18	MJA-2047	Nut	固定螺母		1
3-19	MJA-2048 ₂₀₄₆	Lever	固定把手		1
3-20	PP-52040	Knob	塑膠球		1
3-21	ACA-2041	Pivot	馬達座板梢	3/8	1
3-22	PP-31041	Motor	馬達	2HP	1
3-23		Lock washer	彈簧華司		4
3-24		Bolt	外六角螺絲	3/8	4
3-25	ACA-2037	Motor pulley	馬達普利	3/8-16UNC*1 1/4	4
3-26	PP-53020	Knob	梅花螺絲		1
3-27	ACA-2034	Drive wheel	下輪	1/4*1/2	1
3-28		Key	方鍵		1
3-29	ACA-2032	Washer	下輪固定圈	8*10*40L	2
3-30		Bolt	外六角螺絲		1
3-31	ACA-2045	Bushing	接觸板軸套	1/2W-13*1"	1
3-32		Nut	螺母		1
3-33	ACA-2046	Pivot	接觸板軸	5/8-11UNC	1
3-34	ACA-2044	Rock arm (A)	開關接觸板		1
3-35	ACA-2047	Bracket	開關固定板		1
3-36		Screw	內六角螺絲		1
3-37	PP-90020	Limit switch	限動開關	1/4-20UNC*3/8	2
3-38		Screw	丸頭螺絲	TZ5101	1
3-39	ACA-2043	Rock arm (B)	鋸片接觸板	3/16-24UNC*1 1/4	2
3-40		Set screw	止付螺絲		1
3-41	ACA-2035	Wheel cover	下輪箱蓋	1/4-20UNC*1/4	2
3-42	ACA-2014	Hinge	蓋梢座		1
3-43		Screw	內六角螺絲		2
3-44		Screw	內六角螺絲	1/4-20UNC*3/8	4
3-45		Nut	螺母	5/16-18UNC*1 1/2	2
3-46	ACA-2015	Lock plate	輪蓋扣	5/16-18UNC	2
					1

CHART 3 DRIVE WHEEL

NO.	PART NO.	PART NAME	PART NAME IN CHINESE	PART SPEC.	Q'TY
3-47		Washer	彈簧華司	1/4	2
3-48		Screw	內六角螺絲	1/4-20UNC*10L	2
3-49		Rubber packing			2
3-50	ACA-2048	Rear blade guard	長鋸片護蓋		1
3-51				Deleted	
3-52				Deleted	
3-53	PP-56160	V-belt	皮帶	A47	1
3-54	ACA-2039-2	Bracket	馬達底板耳		2
3-55	ACA-2039-1	Tube	馬達底座鐵管		1
3-56		Nut	螺母	1/2*13	3
3-57		Nut	螺母	3/8	4
3-58	PP-13195	Bushing	乾式軸承	3020	2
3-59					
3-60					
3-61					
3-62					
3-63					
3-64					
3-65					
3-66					
3-67					
3-68					
3-69					
3-70					
3-71					
3-72					
3-73					
3-74					
3-75					
3-76					
3-77					
3-78					
3-79					
3-80					
3-81					
3-82					
3-83					
3-84					
3-85					
3-86					
3-87					
3-88					
3-89					
3-90					
3-91					
3-92					



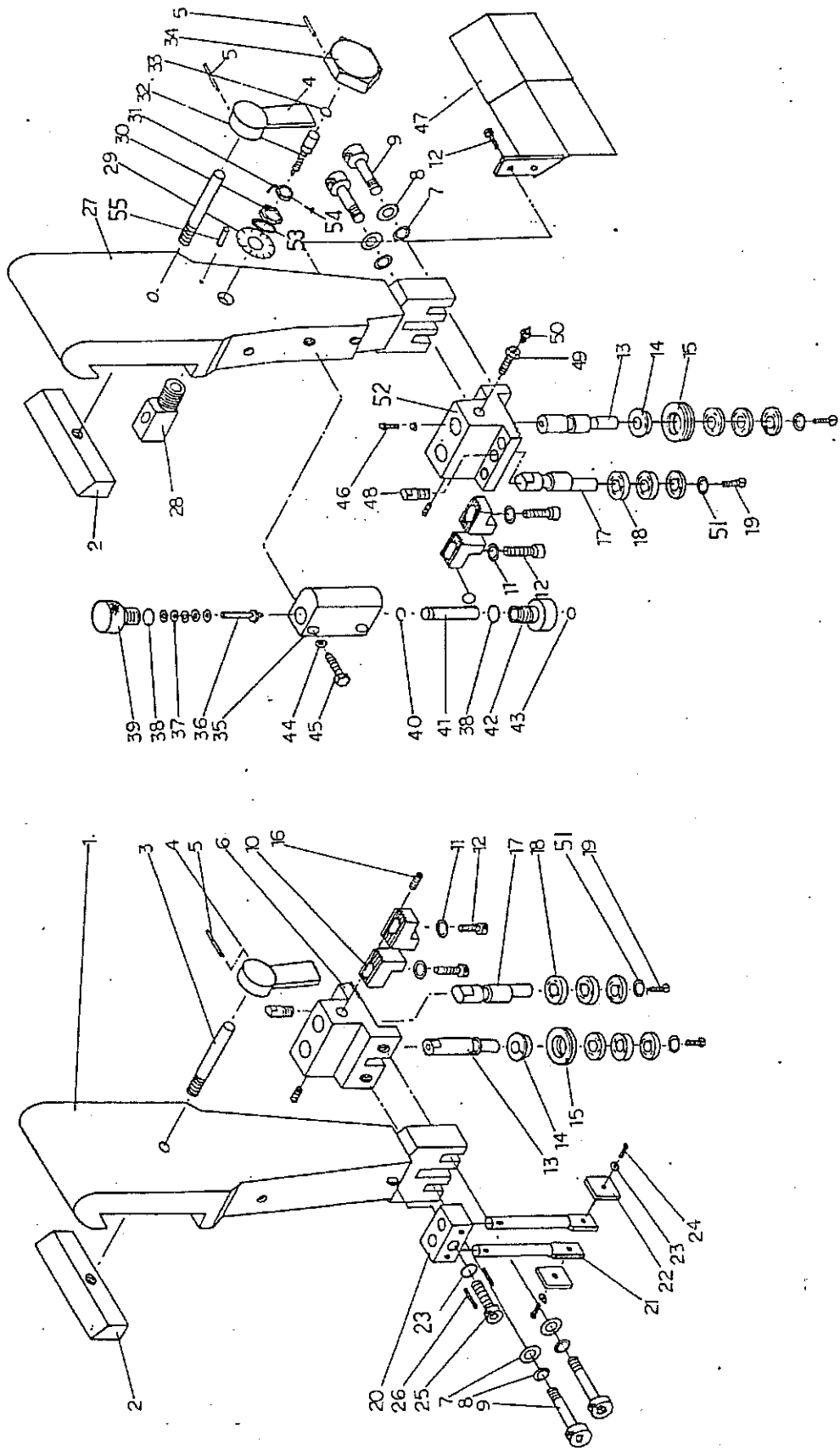
4. IDLER WHEEL AND SAW BOW

CHART 4 IDLER WHEEL AND SAW BOW

NO.	PART NO.	PART NAME	PART NAME IN CHINESE	PART SPEC.	Q'TY	
4-1	ACA-2018	Idler wheel shaft	上輪軸		1	
4-2	PP-14130	Bearing	軸承	6205Z	2	
4-3	ACA-2019	Bushing	上輪軸承墊圈		14	
4-4	ACA-2021	Idler wheel	上輪		1	
4-5	ACA-2020	Washer	上輪墊片		1	
4-6				Deleted		
4-7		Screw	內六角螺絲	5/16-18UNC*1/2	1	
4-8		Nipple	油嘴	1/16	1	
4-9	ACA-2012	Idler wheel housing	上輪箱		1	
4-10		Screw	內六角螺絲	5/16-18UNC*5/8	1	
4-11	ACA-2022	Adjusting bolt	上輪調整螺絲	5/8-11UNC*1 3/4	1	
4-12		Screw	外六角螺絲	3/8-16UNC*2"	1	
4-13		Screw	內六角螺絲	5/16-18UNC*1 1/2	2	
4-14		Nut	螺母	5/16-18UNC	2	
4-15	ACA-2029	Bracket	大橡皮夾片		1	
4-16		Screw	內六角螺絲	1/4-20UNC*3/8	1	
4-17	PP-57001	Rubber plate	耐油橡皮		1	
4-18		Screw	內六角螺絲	1/4-20UNC*5/8	2	
4-19		Nut	螺母	1/4-20UNC	4	
4-20	ACA-2015	Lock plate	輪箱扣		2	
4-21		Washer	彈簧華司	1/4	2	
4-22		Screw	內六角螺絲	1/4-20UNC*3/8	2	
4-23	ACA-2013	Idler wheel cover	上輪箱蓋		1	
4-24	ACA-2014	Hinge	蓋梢座		2	
4-25		Screw	內六角螺絲	1/4-20UNC*3/8	4	
4-26	POA-12-125	Nut	螺母	GM12x1.25	1/2W-13 (黃)	1
4-27	ACA-2028	Spring	鋼刷彈簧		1	
4-28	ACA-2027	Stud	鋼刷調整桿		1	
4-29	PBA-3-16	Pin	彈簧梢	3*16L	2	
4-30	ACA-2026	Adapter	鋼刷管座		1	
4-31	ACA-2024	Bushing	鋼刷軸套		1	
4-32	PP-14010	Bearing	軸承	HK0810	2	
4-33	ACA-2023	Brush shaft	鋼刷軸		1	
4-34	POA-8-125	Nut	螺母	GM8x1.25	5/16-18UNC	1
4-35	PP-58002	Wire brush	鋼刷		1	
4-36	ACA-2025	Nut	圓形螺母	5/16-18UNC	1	
4-37	PAA-6-6	Set screw	止付螺絲	M6x6	1/4-20UNC*1/4	1
4-38	PBA-6-25	Screw	內六角螺絲	M6x25	1/4-20UNC*1"	1
4-39	ACA-2005	Adjusting slide	上輪滑板		1	
4-40		Rivet	卯釘	6*30L	4	
4-41	ACA-2010	Spring	曲板彈簧		2	
4-42	ACA-2011	Pivot stud	曲板固定螺絲	3/4-11UNC*5"	1	
4-43	ACA-2009	Bushing	曲板軸套		1	
4-44	ACA-2003	Rock ram	傳動曲板		1	
4-45		Bushing		Deleted		
4-46	ACA-2008	Cover	曲板蓋		1	

CHART 4 IDLER WHEEL AND SAW BOW

NO.	PART NO.	PART NAME	PART NAME IN CHINESE	PART SPEC.	QTY
4-47		Screw	丸頭螺絲	3/16-24UNC*3/8	4
4-48	ACA-2016	Wheel cover rest	上輪蓋擋板		1
4-49		Rivet	卯釘	3*10L	2
4-50				Deleted	
4-51		Screw	內六角螺絲	1/4-20UNC*3/8	2
4-52	ACA-2006	Cover	滑板蓋		1
4-53				Deleted	
4-54				Deleted	
4-55		Blade tensioning stud			
4-56	ACA-20040	Blade tensioning lever	上輪調整把手		1
4-57		Pin	彈簧檔		
4-58				Deleted	
4-59		Screw	內六角螺絲	5/16*1 1/4	1
4-60	ACA-2030	Bracket	小橡皮夾片		1
4-61	ACA-2017	Coupling plate	上輪蓋接板		1
4-62		Screw	丸頭螺絲	1/4*3/4	2
4-63		Lock washer	扣環	R52	1
4-64					
4-65					
4-66					
4-67					
4-68					
4-69					
4-70					
4-71					
4-72					
4-73					
4-74					
4-75					
4-76					
4-77					
4-78					
4-79					
4-80					
4-81					
4-82					
4-83					
4-84					
4-85					
4-86					
4-87					
4-88					
4-89					
4-90					
4-91					
4-92					



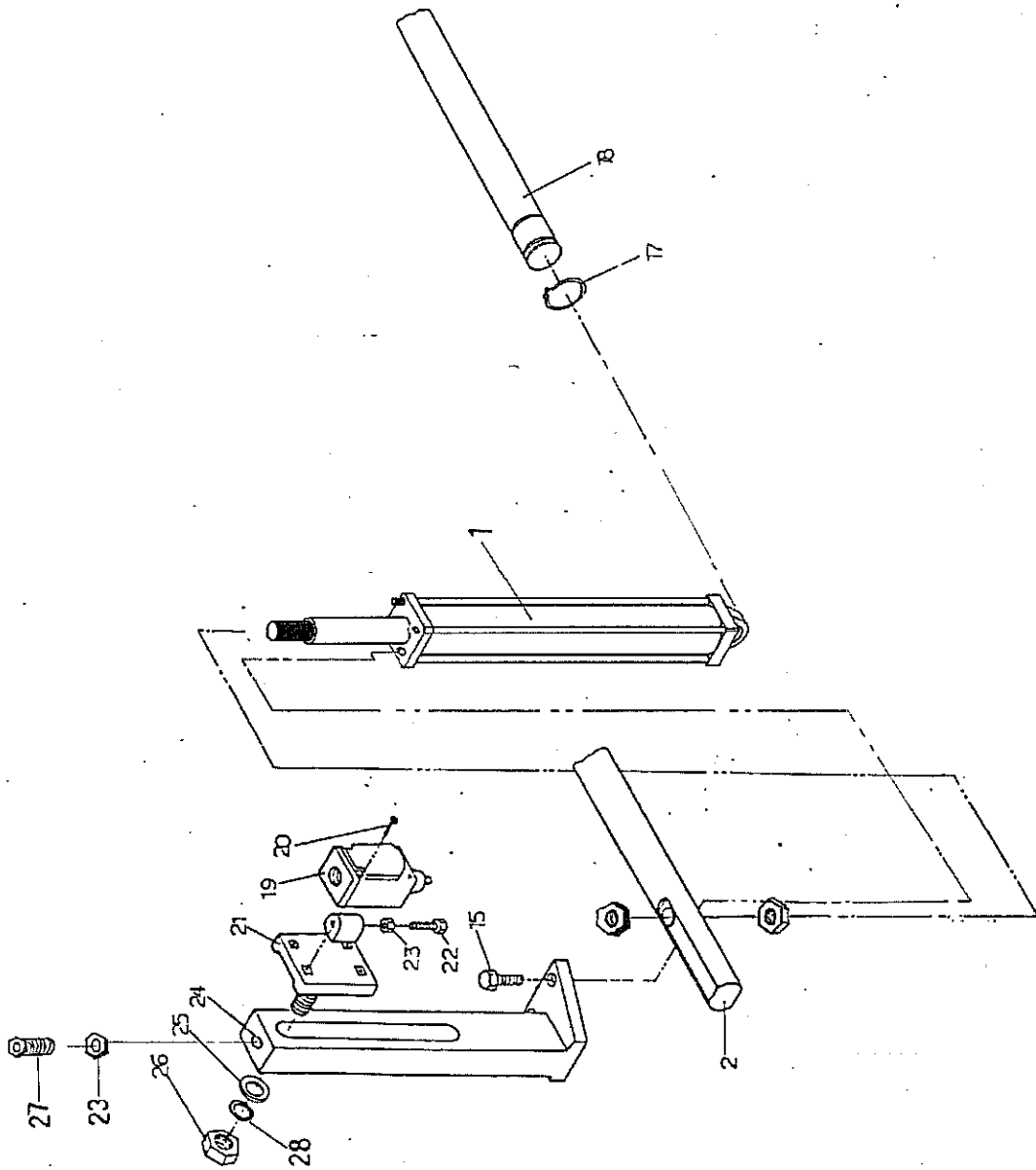
5. BLADE GUIDE ARMS

CHART 5 BLADE GUIDE ARMS

NO.	PART NO.	PART NAME	PART NAME IN CHINESE	PART SPEC.	Q'TY
5-1	ACA-2055	Guide arm , left	左鋸臂		1
5-2	ACA-2059	Clamping block	鋸臂固定塊		2
5-3	ACA-2058	Bolt	鋸臂固定螺栓		2
5-4	ACA-2028A	Lever (ACA-078)	鋸臂固定把手		2
5-5	5	Pin	彈簧銷	4*20L	2
5-6	ACA-2065	Guide seat ,left	左導輪座		1
5-7	PPB-020	Washer	平面華司	5/16 1/4	4
5-8		Lock washer	彈簧華司	1/2	4
5-9		Screw	內六角螺絲	1/4-20UNC*1 1/2	4
5-10	MAB-6006	Tungsten carbide blade guide	鋸片固定塊		4
5-11		Washer	彈簧華司	1/4	8
5-12		Screw	內六角螺絲	1/4-20UNC*1"	4
5-13	ACA-2068	Cam shaft (A)	導輪軸		2
5-14	ACA-2069	Bushing	導輪軸套		2
5-15	PP-14812	Guide bearing , thrust	軸承	51103	2
5-16		Set screw	止付螺絲	1/4-20UNC*1/2	3
5-17	ACA-2067	Cam shaft (B)	偏心導輪軸		2
5-18	PP-14211	Guide bearing	軸承	608VV	12
5-19		Screw	丸頭螺絲	3/16-24UNC*3/8	4
5-20	ACA-2091	Chip wiper seat	去屑座		1
5-21	ACA-2092	Adjusting rod	去屑桿		2
5-22	ACA-2090	Chip wiper	刮屑片		2
5-23		Washer	彈簧華司	1/4	3
5-24		Screw	丸頭螺絲	1/4-20UNC*3/8	2
5-25		Screw	內六角螺絲	1/4-20UNC*1 1/4	1
5-26		Set screw	止付螺絲	1/4-20UNC*1/4	2
5-27	ACA-2056	Guide arm , right	右鋸臂		1
5-28	ACA-2063-1	Feed rate valve block	流量閥本體		1
5-29	PP-61006	Feed rate gauge dial	流量閥刻度表		1
5-30	MAJ-4010	Nut	螺帽	M16	1
5-31	MAJ-4007	Pointer	指針及座		1
5-32	ACA-2063-2	Flow regulator	流量調整桿		1
5-33	PP-59010	O-ring	O型環	P5	1
5-34	PP-52123	Feed rate adjusting	旋鈕		1
5-35	ACA-2064-1	Auto feed rate regulating valve block	壓力閥本體		1
5-36	ACA-2064-3	Flow regulator	彈簧軸		1
5-37	ACA-2064-6	Disk spring	碟形彈簧	5.2	12
5-38	PP-59030	O-ring	O型環	P9	2
5-39	ACA-2064-2	Adjusting knob (A)	壓力閥調整無孔螺絲		1
5-40	PTE-8	Retainer	扣環	E8	1
5-41	ACA-2064-5	Sensing screw	活動軸		1
5-42	ACA-2064-4	Adjusting knob (B)	壓力閥調整有孔螺絲		1
5-43	PP-59020	O-ring	O型環	P8	1
5-44	PPB-025	Lock washer	彈簧華司	5/16	2
5-45	PPB-025-120	Screw	外六角螺絲	5/16-18UNC*1 1/4	2
5-46		Adjusting screw	外六角螺絲	1/4-28UNF*3/4	1

CHART 5 BLADE GUIDE ARMS

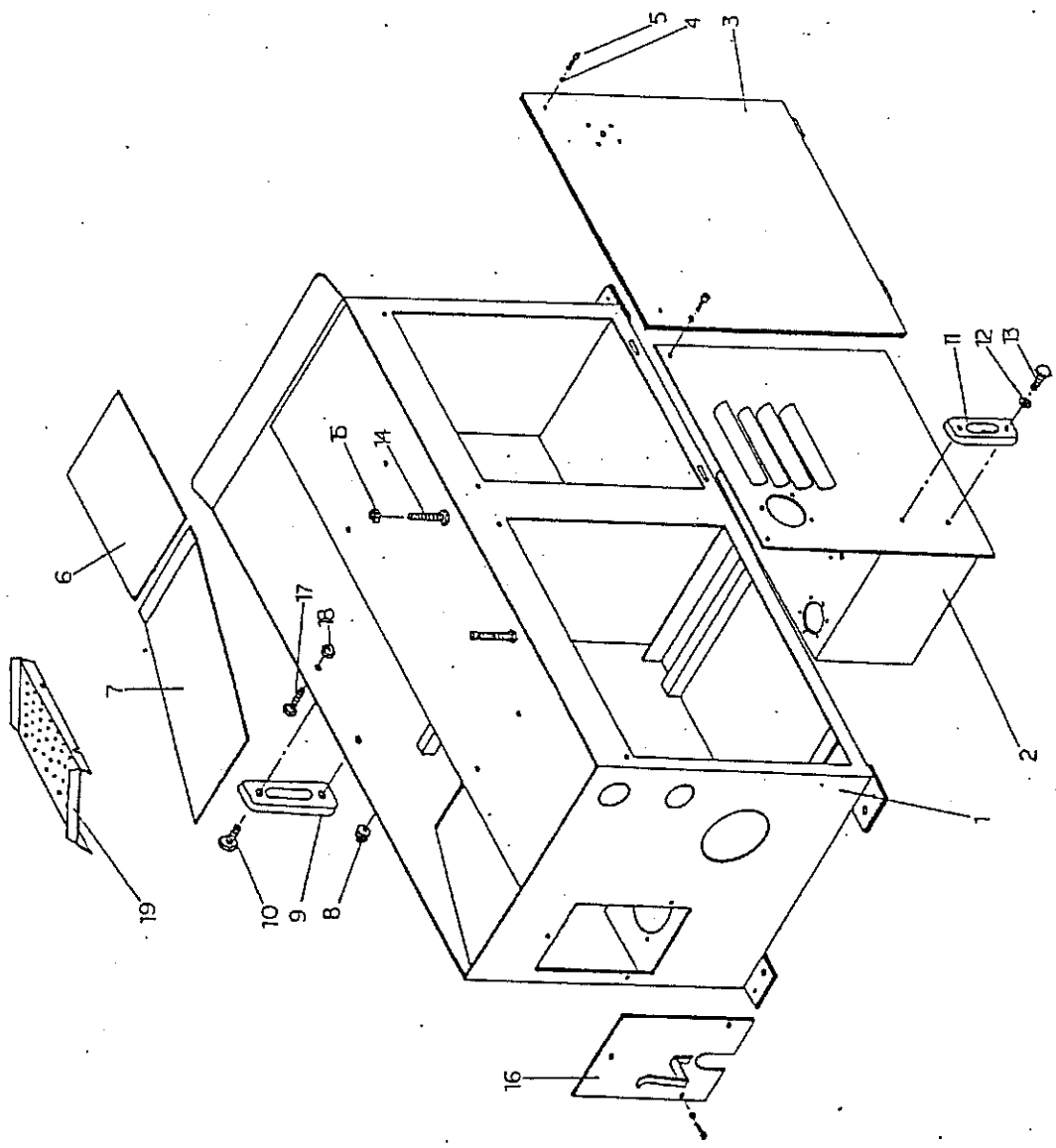
NO.	PART NO.	PART NAME	PART NAME IN CHINESE	PART SPEC.	Q'TY
5-47	ACA-2049	Blade guard	短鋸片護蓋		1
5-48	MAB-6014	Coolant nozzle	固定塊水管接頭		2
5-49	ACA-2070	Screw	導輪軸固定螺絲		1
5-50		Nipple	油嘴	1/16	1
5-51		Spring washer	彈簧華司	3/16	4
5-52	ACA-2066	Guide seat , right	右導輪座		1
5-53		Washer	平面華司	M16	1
5-54		Screw	丸頭螺絲	3/16*3/8	1
5-55	MAJ-4008	Pointer rod	指針擋桿		1
5-56					
5-57					
5-58					
5-59					
5-60					
5-61					
5-62					
5-63					
5-64					
5-65					
5-66					
5-67					
5-68					
5-69					
5-70					
5-71					
5-72					
5-73					
5-74					
5-75					
5-76					
5-77					
5-78					
5-79					
5-80					
5-81					
5-82					
5-83					
5-84					
5-85					
5-86					
5-87					
5-88					
5-89					
5-90					
5-91					
5-92					



G. HYDRAULIC CYLINDER

CHART 6 HYDRAULIC CYLINDER

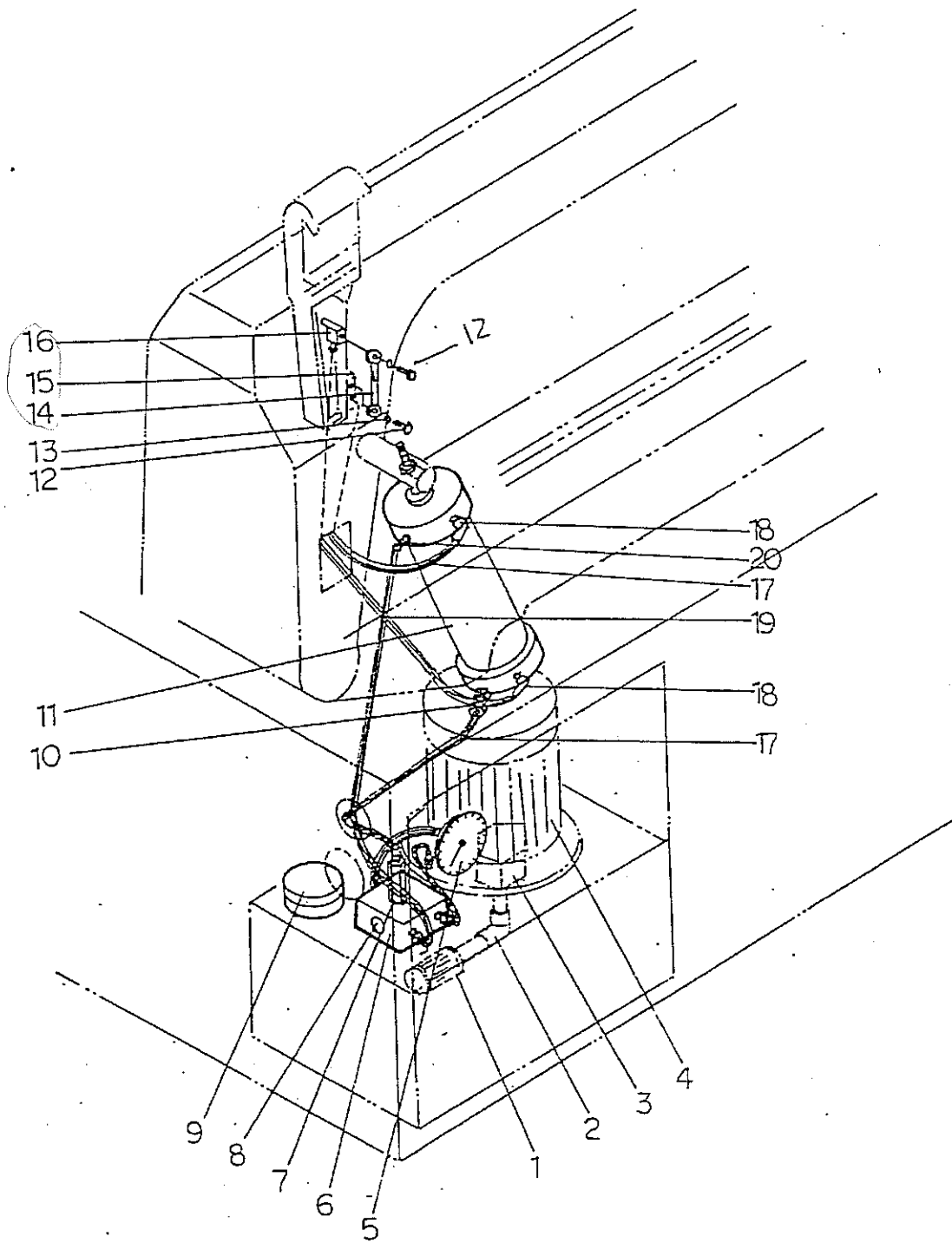
NO.	PART NO.	PART NAME	PART NAME IN CHINESE	PART SPEC.	QTY
6-1	ACA-1072	Cylinder	油壓缸		1
6-2	ACA-2054	Pivot upper	上昇軸桿		1
6-3				DELETED	
6-4				DELETED	
6-5				DELETED	
6-6				DELETED	
6-7				DELETED	
6-8				DELETED	
6-9				DELETED	
6-10				DELETED	
6-11				DELETED	
6-12				DELETED	
6-13				DELETED	
6-14				DELETED	
6-15				DELETED	
6-16				Deleted	
6-17		Retainer	扣環	S30	2
6-18	ACA-1050	Pivot , bottom	油壓缸活動軸		1
6-19	PP-90020	Limit switch	限動開關	TZ5101	1
6-20		Screw	丸頭螺絲	3/16-24UNC*1 1/4	4
6-21	ACA-2052	Carriage	限動開關滑座		1
6-22		Screw	外六角螺絲	5/16-18UNC*1"	1
6-23		Nut	螺母	5/16-18UNC	2
6-24	ACA-2051	Height setting slide	限動開關滑板		1
6-25		Washer	平面華司	5/8	1
6-26	ACA-2053	Nut	滑座固定螺帽	5/8-11UNC	1
6-27		Screw	外六角螺絲	5/16*2 1/2	1
6-28		Washer	彈簧華司	5/8	1
6-29					
6-30					
6-31					
6-32					
6-33					
6-34					
6-35					
6-36					
6-37					
6-38					
6-39					
6-40					
6-41					
6-42					
6-43					
6-44					
6-45					
6-46					



7. BASE ASSEMBLY

CHART 7 BASE ASSEMBLY

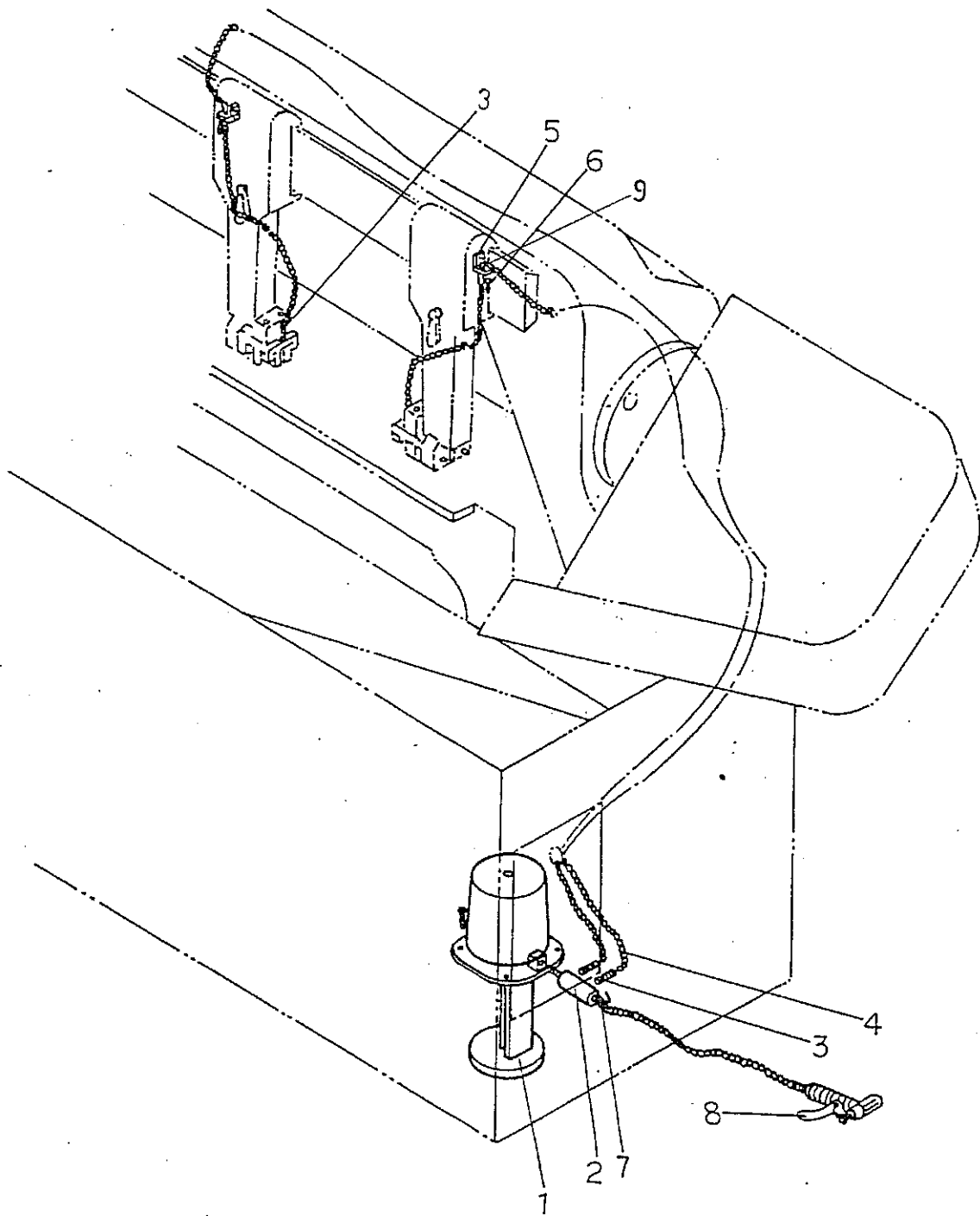
NO.	PART NO.	PART NAME	PART NAME IN CHINESE	PART SPEC.	Q'TY
7-1	ACA-1001	Base	底座		1
7-2	ACA-1007	Hydraulic oil tank	油壓箱		1
7-3		Electric cabinet door	電器門		1
7-4		Washer	彈簧華司	1/4	9
7-5		Screw	外六角螺絲	1/4-20UNC*1"	9
7-6		Filter plate (A)	集水斜板		1
7-7		Filter plate (B)	集水斜板		1
7-8		Coolant drain plug	塞頭	PT 1/2	1
7-9	PP-21040	Coolant level gauge	油面計	7"	1
7-10		Bolt		1/2W-12*1"	2
7-11	PP-21030	Oil level gauge	油面計	3"	1
7-12		Washer			2
7-13		Screw		3/8-16UNC*3/4	2
7-14		Bolt	外六角螺絲	5/8-11UNC*4"	2
7-15		Nut	螺母	5/8-11UNC	4
7-16	ACA-1003	Hose hanger	泵浦邊蓋		1
7-17		Screw	外六角螺絲	3/8-16UNC*1 1/4	2
7-18		Nut	螺母	3/8-16UNC	2
7-19	ACA-1068	Off-cut extracting plate	鋸料斜板		1
7-20					
7-21					
7-22					
7-23					
7-24					
7-25					
7-26					
7-27					
7-28					
7-29					
7-30					
7-31					
7-32					
7-33					
7-34					
7-35					
7-36					
7-37					
7-38					
7-39					
7-40					
7-41					
7-42					
7-43					
7-44					
7-45					
7-46					



8. HYDRAULIC SYSTEM

CHART 8 HYDRAULIC SYSTEM

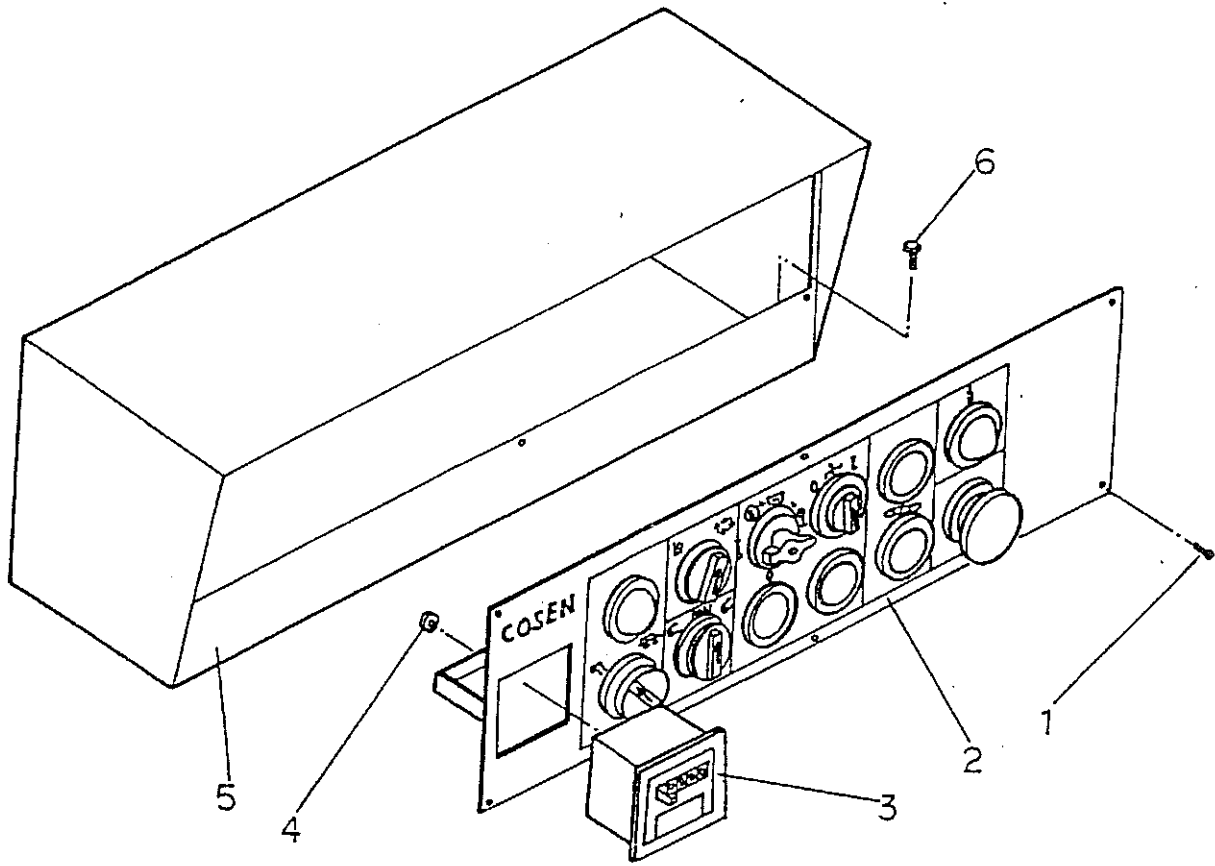
NO.	PART NO.	PART NAME	PART NAME IN CHINESE	PART SPEC.	Q'TY
8-1	PP-43330	Filter	濾油網		1
8-2		Elbow	內外牙彎頭	PT 1/2	1
8-3	PP-32202	Oil pump	油壓泵浦	RSP-205A	1
8-4	PP-31311	Motor	油壓馬達	1/4HP-4P	1
8-5	PP-43310	Pressure gauge	壓力表	50KG	1
8-6	ACA-1008	Oil distributing block	油路板		1
8-7	PP-43110	Check valve	止回閥	3/8"	1
8-8	ACA-10100	Pressure adjustor	洩壓閥整組		1
8-9	PP-43320	Oil inlet	注油器		1
8-10	PP-43601	Solenoid valce	電磁閥		1
8-11				Deleted	
8-12	ACA-2064-7	Special bolt	油路固定螺絲 (油管接頭)		2
8-13	ACA-2064-8,9	Spring washer	銅墊圈		2
8-14	PP-20400	Special oil tube	油管	1/4*165L	1
8-15	調壓閥本體	接續不亮		Deleted	
8-16	流量閥	" "		Deleted	
8-17		Vinyl hose	油管	1/4"	2
8-18		Elbow	彎接頭	1/4"	2
8-19		Vinyl hose	油管	1/4"	2
8-20		Hose connector	彎接頭	1/4"	4
8-21					
8-22					
8-23					
8-24					
8-25					
8-26					
8-27					
8-28					
8-29					
8-30					
8-31					
8-32					
8-33					
8-34					
8-35					
8-36					
8-37					
8-38					
8-39					
8-40					
8-41					
8-42					
8-43					
8-44					
8-45					
8-46					



9. COLLANT SYSTEM

CHART 9 COOLANT SYSTEM

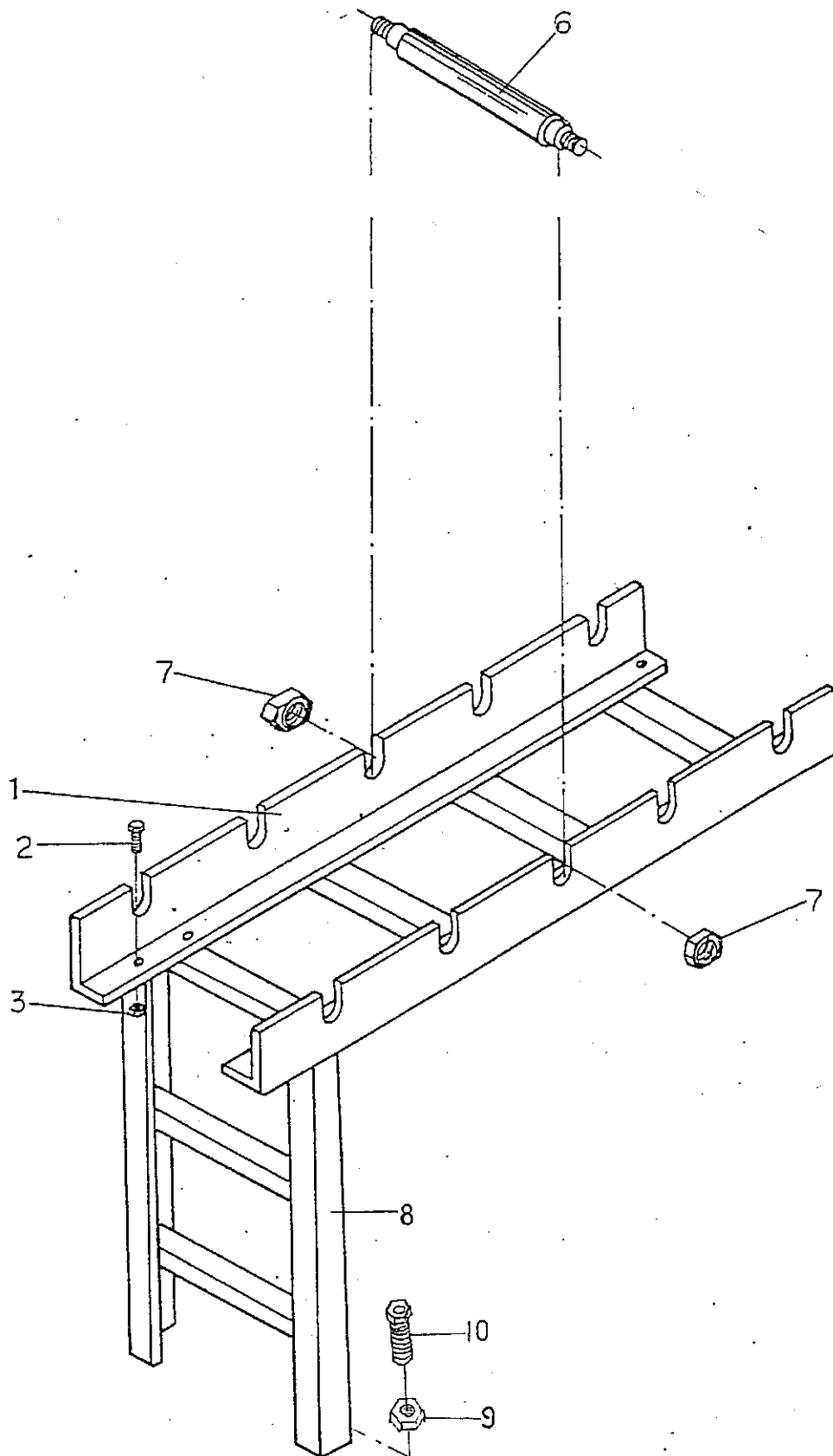
NO.	PART NO.	PART NAME	PART NAME IN CHINESE	PART SPEC.	Q'TY
9-1	PP-32051	Pump	浸水泵浦	1/8HP	1
9-2	ACA-1004	3-way cock	泵浦接頭		1
9-3	MAB-6014	Fitting	固定塊水管接頭		4
9-4		Hose	水管	1/4*3000L	2
9-5	ACA-2062	Bracket	水龍頭座板		2
9-6	PP-43132	Valve	開關閥	1/8	2
9-7	PP-43135	Valve	開關閥	A101-3/8*3/8'	1
9-8	AHA-1313	Nozzle ,hand	噴嘴		1
9-9	MAB-6010	Fitting	水龍頭彎頭		2
9-10					
9-11					
9-12					
9-13					
9-14					
9-15					
9-16					
9-17					
9-18					
9-19					
9-20					
9-21					
9-22					
9-23					
9-24					
9-25					
9-26					
9-27					
9-28					
9-29					
9-30					
9-31					
9-32					
9-33					
9-34					
9-35					
9-36					
9-37					
9-38					
9-39					
9-40					
9-41					
9-42					
9-43					
9-44					
9-45					
9-46					



10. CONTROL PANEEL

CHART 10 CONTROL PANEL

NO.	PART NO.	PART NAME	PART NAME IN CHINESE	PART SPEC.	Q'TY
10-1		Screw	丸頭螺絲	3/16-24UNC*3/8	6
10-2	ACA-2078	Control panel	控制面板		1
10-3	PP-90410	Piece counter	計數器		1
10-4				Deleted	
10-5	ACA-2002	Control box	控制箱		1
10-6		Screw	外六角螺絲	1/4-20UNC*3/8	4
10-7					
10-8					
10-9					
10-10					
10-11					
10-12					
10-13					
10-14					
10-15					
10-16					
10-17					
10-18					
10-19					
10-20					
10-21					
10-22					
10-23					
10-24					
10-25					
10-26					
10-27					
10-28					
10-29					
10-30					
10-31					
10-32					
10-33					
10-34					
10-35					
10-36					
10-37					
10-38					
10-39					
10-40					
10-41					
10-42					
10-43					
10-44					
10-45					
10-46					



11. ROLLER TABLE

CHART 11 ROLLER TABLE(1M)

NO.	PART NO.	PART NAME	PART NAME IN CHINESE	PART SPEC.	Q'TY
11-1	ACA-1073	Roller table	送料架		2
11-2		Bolt	外六角螺絲	3/8*1 1/4"	4
11-3		Nut	螺母	3/8"	4
11-4				DELETED	
11-5				DELETED	
11-6	ACA-1071	Roller	滾輪		5
11-7		Pin	開口梢	5/32*1 1/4"	10
11-8	ACA-1070	Roller table frame	送料腳架		1
11-9		Nut	螺母	5/8"	2
11-10		Bolt	外六角螺絲	5/8*2 1/2"	2
11-11					
11-12					
11-13					
11-14					
11-15					
11-16					
11-17					
11-18					
11-19					
11-20					
11-21					
11-22					
11-23					
11-24					
11-25					
11-26					
11-27					
11-28					
11-29					
11-30					
11-31					
11-32					
11-33					
11-34					
11-35					
11-36					
11-37					
11-38					
11-39					
11-40					
11-41					
11-42					
11-43					
11-44					
11-45					
11-46					